

CONALL

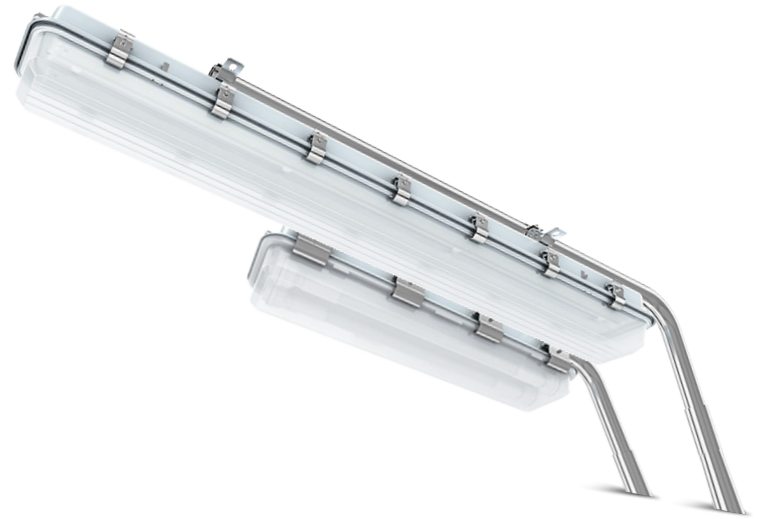
Linear Area Lights



LINEAR AREA LIGHT CLASS I DIVISION 2

Product Description:

Conall Linear Area Light is designed for use in hazardous locations where flammable gases or vapors, flammable liquids and other ignitable materials exist. Its rugged design and efficient heat dissipation stands up to challenging conditions while ensuring long life and high lumen performance. This fixture utilizes a premium Meanwell Driver & SMT LED chipset to achieve high efficacies.



Classifications / Ratings

- **Class I, Division 2, Groups A, B, C, D**
- **Class II, Division 1, Groups E, F, G**
- **Class II, Division 2, Groups F, G**
- **Class III**
- **II 2 G Ex db eb mb IIC T5/T6 Gb**
- **II 2 D Ex tb IIIC T95°C/T85°C Db IP66**
- **Ex db eb mb IIC T5/T6 Gb**
- **Ex tb IIIC T95°C/T85°C Db**

Environmental

- Ambient Operating Temperature -40 °F ~ +140°F
- Temperature Rating **C1D2 T5**
- Temperature Rating **C1D2 T6**
- Ingress Protection Rating of **IP66**
- Impact Protection of **IK08**
- Average Life of 50000 Hours.

Construction

Housing	Stainless-steel
Cover Material / Lens	Tempered glass
Base / Power Supply	Three connection cable entry points
Finish	Gray

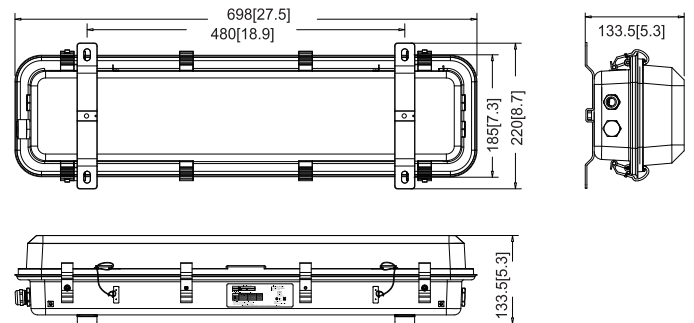
Application Areas

- Oil and gas industry
- Chemical industry
- Marine and aerospace field
- Metal treatment
- Food and alcohol industry

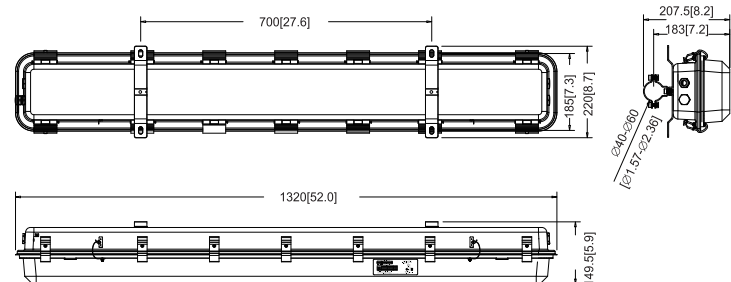
Warranty

- 5-year limited system warranty standard
- Warranty does not cover product failure due to an overvoltage event (power surge)

R2L140 (Conall 2)
Dimension Diagram (20W / 30W / 40W)



R4L140 (Conall 4)
Dimension Diagram (40W / 50W / 60W)



Product Specifications:

Item	Specification	Details					
Model Version		R2L140 (Conall 2)			R4L140 (Conall 4)		
Electrical	Power	20W	30W	40W	40W	50W	60W
	Voltage	100-277 V AC 50/60 Hz					
	Current	0.08A	0.12A	0.16A	0.16A	0.20A	0.24A
	Power Factor	>0.9					
	Total Harmonic Distortion (THD)	≤20%					
	Surge Protection	10KV					
Lighting Performance	Lumens	2800 lm	4200 lm	5600 lm	5600 lm	7000 lm	8400 lm
	Efficacy	140 lm/W					
	Color Temperature (CCT)	4000 K, 5000 K					
	Color Rendering (CRI)	70					
	Beam Angle	120°					

Ordering Information : Typical order example: *IK-EXHB-R2L140-20W-40K-CID2-HM*

IK	EXHB	MODEL	POWER	CCT	CLASSIFICATION	MOUNTING OPTIONS
IK IKIO	EXHB Explosion Proof High Bays	<input type="checkbox"/> R2L140 Conall 2 Linear Area Light	<input type="checkbox"/> 20W <input type="checkbox"/> 30W <input type="checkbox"/> 40W	<input type="checkbox"/> 40K for 4000K <input type="checkbox"/> 50K for 5000K	CID2 CID2 Explosion Proof Rated	<input type="checkbox"/> HM Hanging Mount <input type="checkbox"/> SM Surface Mount <input type="checkbox"/> PM Pole Mount
		<input type="checkbox"/> R4L140 Conall 4 Linear Area Light	<input type="checkbox"/> 40W <input type="checkbox"/> 50W <input type="checkbox"/> 60W			

*Default Mounting Bracket Is Surface Mount.
*Refer Accessories Table Before Selecting Your Desired Mounting Options.

Accessories Table:

Mounting Option	Model Ordering Code	Accessories Description	Accessories Image	Product Image
Hanging Mount	HM	Aircraft Cable IK-EX-AC		
Surface Mount	SM	Clamps IK-EX-SM		
Pole Mount	PM	Pole IK-EX-POLE		
		Mounting Clamps IK-AX-MCLAMP		